



Manual/Parts Lists  
Provided By

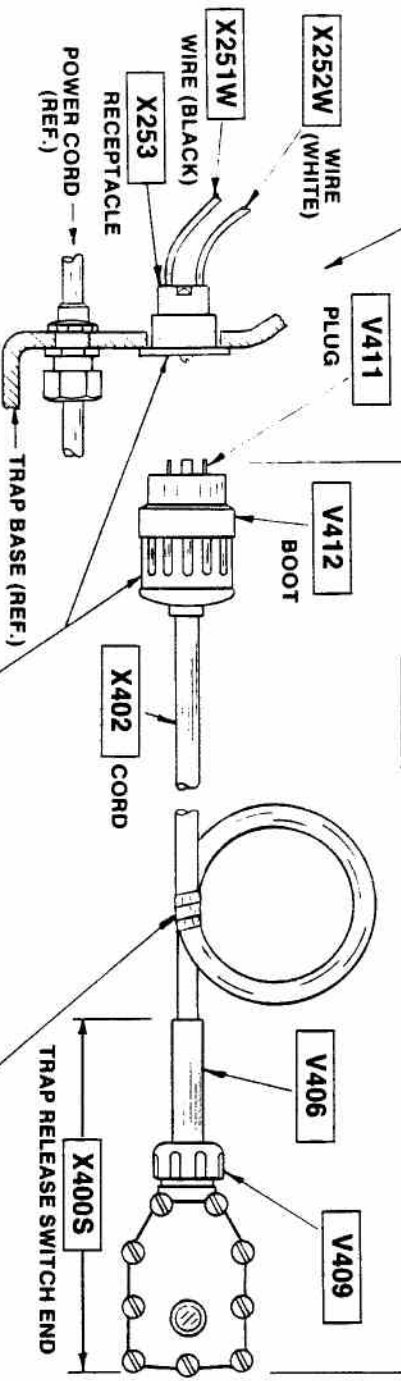
Golden West Industries  
750 Arroyo Ave  
San Fernando, CA 91340  
800-548-5444 (Outside CA)  
818-365-3946 (Inside CA)  
818-365-8725 (Fax)  
[www.goldenwestind.com](http://www.goldenwestind.com)  
[goldenwestind@msn.com](mailto:goldenwestind@msn.com)

Sales, Parts, Repairs, Rentals, Installation  
Trap, Skeet and Sporting Clays  
Pay and Play Card System  
Voice Release

Beomat, Due Matic, Lincoln Traps,  
Pat Trap, Winchester

**DANGER—AVOID INJURY!** MAKE SURE ELECTRICAL POWER IS DISCONNECTED AND TRAPS ARE UNCOCKED BEFORE ATTEMPTING TO INSTALL OR SERVICE. INSPECT FREQUENTLY AND REPLACE DAMAGED PARTS.

**INSTALLATION ON NEW TRAPS \***



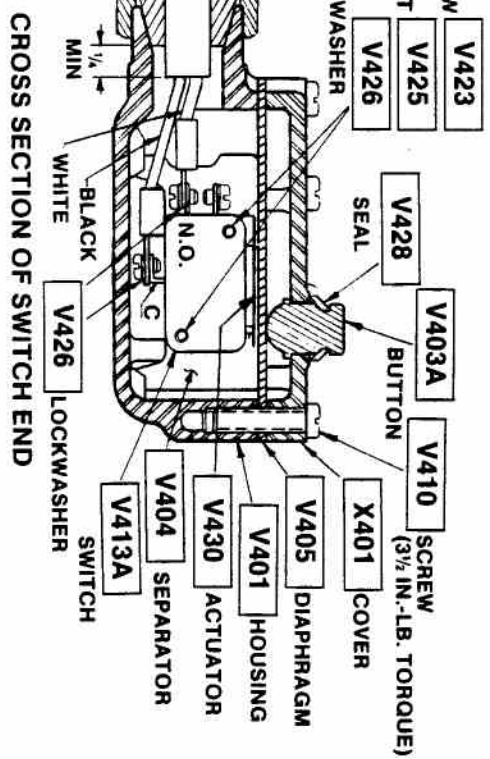
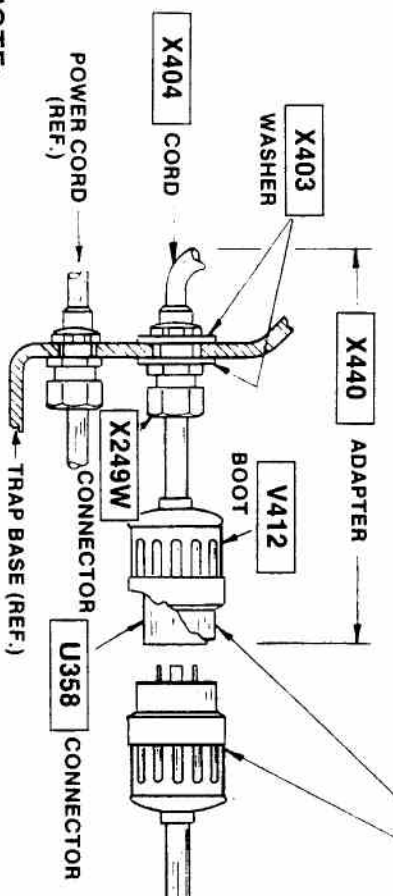
**WARNING**  
ELECTRICAL INSTALLATION MUST BE IN ACCORDANCE WITH NATIONAL ELECTRICAL CODE AND APPLICABLE LOCAL CODES!

TIGHTEN CORD GRIPS ON X249, U358, V409 & V411 TO PERMIT 35LB. PULL WITHOUT SLIPPAGE. DO NOT OVER-TIGHTEN, OR DAMAGE MAY RESULT.

CONNECT WHITE WIRE TO WIDE BLADE, BLACK TO NARROW. CENTER NOT USED.

**NOTE:** FORM LOOP NEAR V406 & TAPE TO HOLD. PLACE OVER SCOREKEEPER'S ARM OR SHOULDER TO REMOVE STRESS FROM INTERNAL RELEASE WIRING & REDUCE DAMAGE DUE TO SWINGING.

**CONVERSION OF OLDER TRAPS**



**CROSS SECTION OF SWITCH END**

**NOTE:**  
TRAP BASE SHOWN IS USED ON V1524, V1579 & V1581 SERIES TRAPS. CONVERSION OF V1577 TYPE MACHINES IS SIMILAR. REMOVE OLD RECEPTACLE AND CONNECT X404 ADAPTER CORD AT SAME LOCATIONS. CHECK WIRING WITH DIAGRAM FURNISHED WITH TRAP. WRAP ALL WIRE NUTS WITH AT LEAST TWO LAYERS PVC ELECTRICAL TAPE.  
\* REFER TO PLATE L FOR INSTALLATION ON V1582 & V1583 SERIES TRAPS.

**WINCHESTER GROUP  
OLIN CORPORATION**  
EAST ALTON, ILLINOIS 62024-1174