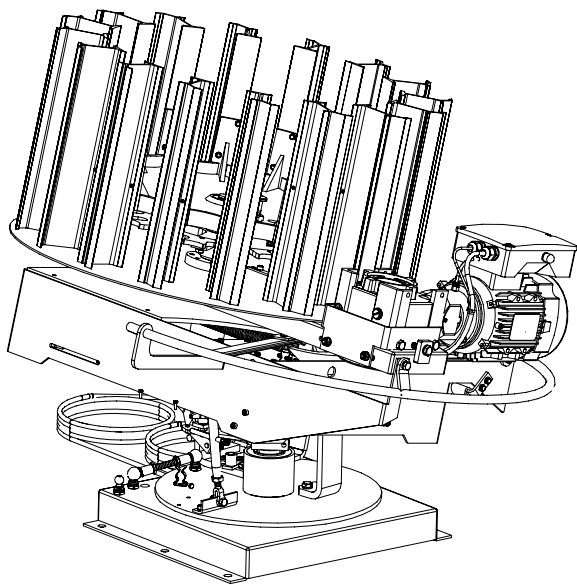
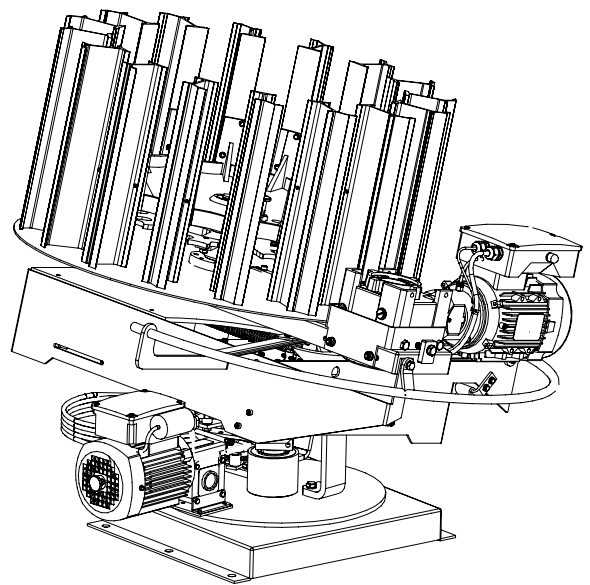


MJTD 600/ MTD 600



MJTD 600

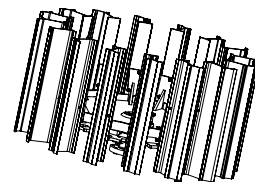


MTD 600

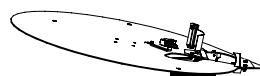
MJTD 600/ MTD 600

Index

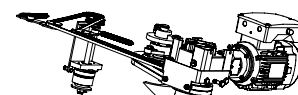
3 Magazine



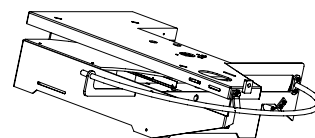
4 Magazine plate



5,6,7,8 Main drive



9 Chassi



10 Main shaft



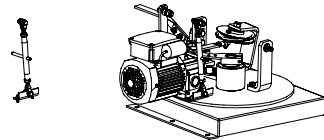
11 Linkage



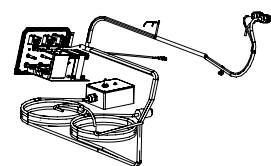
12 Primary table



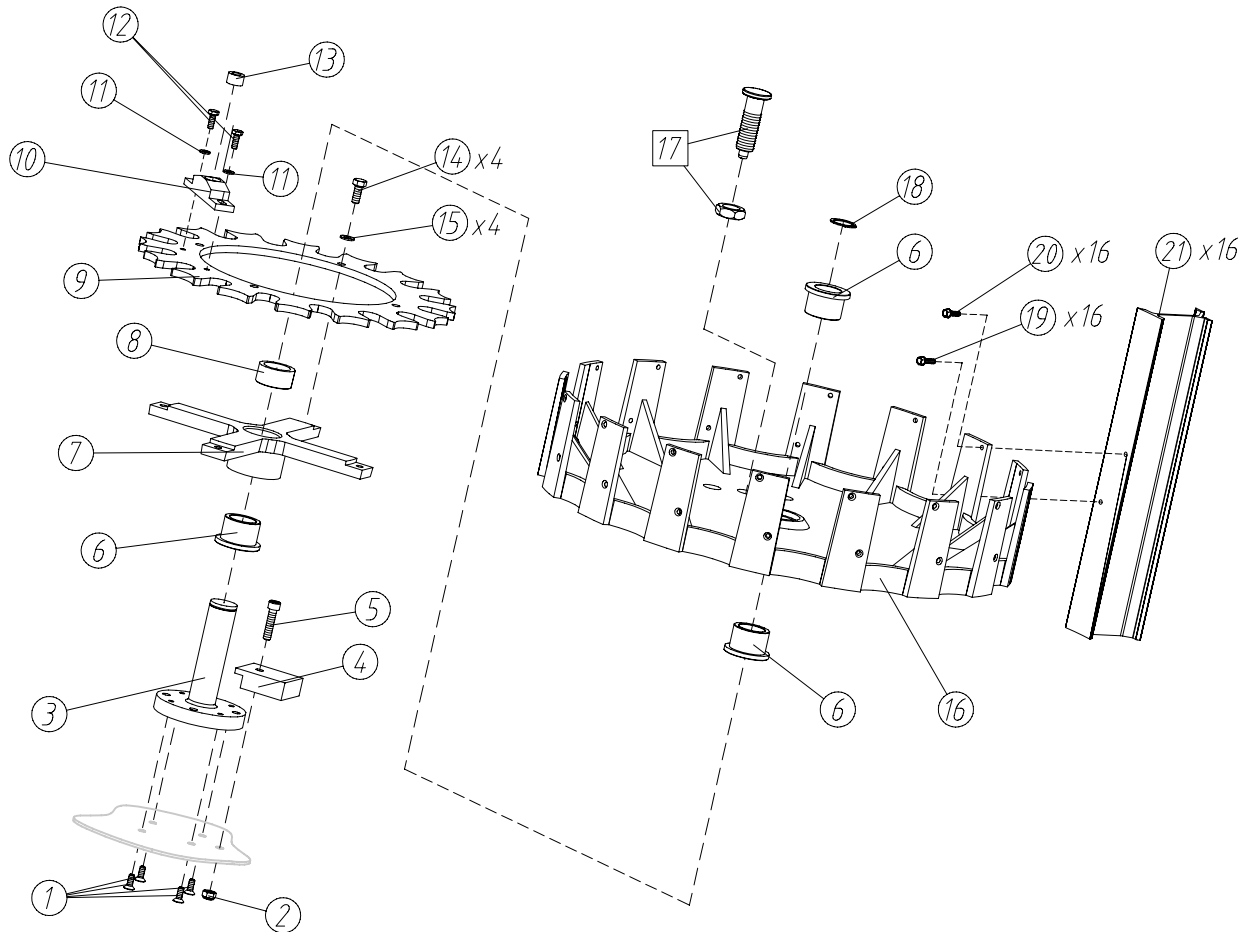
13,14,15 Base



16,17 Electrical



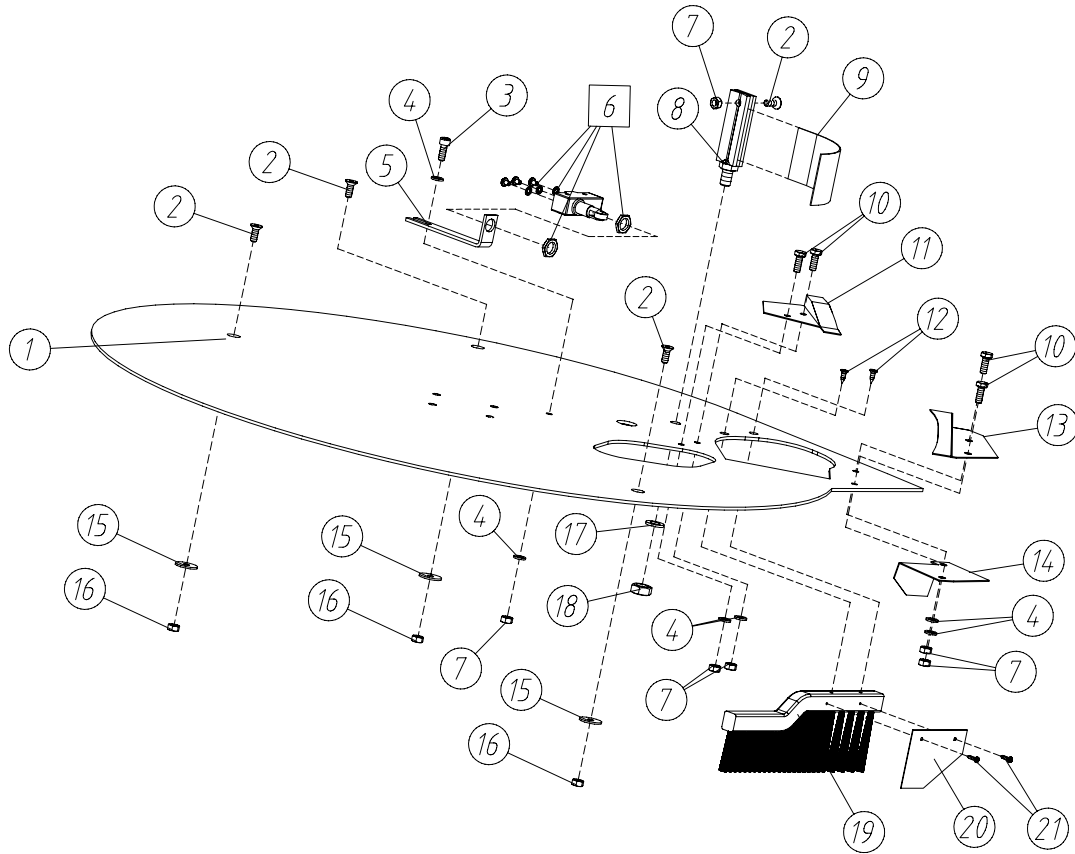
MTD 600/ MJTD 600 Magazine



Ref.	Qty	Part no	Name of part	Ref.	Qty	Part no	Name of part
1	4	166 51	Bolt, countersunk, allen	12	2	147 81	Bolt hex
2	1	112 21	Nut, nylock	13	1	747 71	Socket
3	1	722 41	Shaft, magazine	14	4	115 31	Bolt, Hex
4	1	746 71	Clamp	15	4	107 01	Washer
5	1	116 61	Bolt, allen	16	1	748 01	Magazine structure
6	3	222 11	Bushing oilite	17	1	247 91	Locking bolt incl nut
7	1	747 61	Hub for ring gear	18	1	122 21	Circlip
8	1	222 01	Oilite "cut to 20mm height"	19	16	135 31	Bolt selftapping
9	1	772 91	Ring gear	20	16	112 51	Bolt selftapping
10	1	773 01	Lockblock	21	16	723 31	Magazineprofile
11	2	100 71	Washer				

MTD 600/ MJTD 600

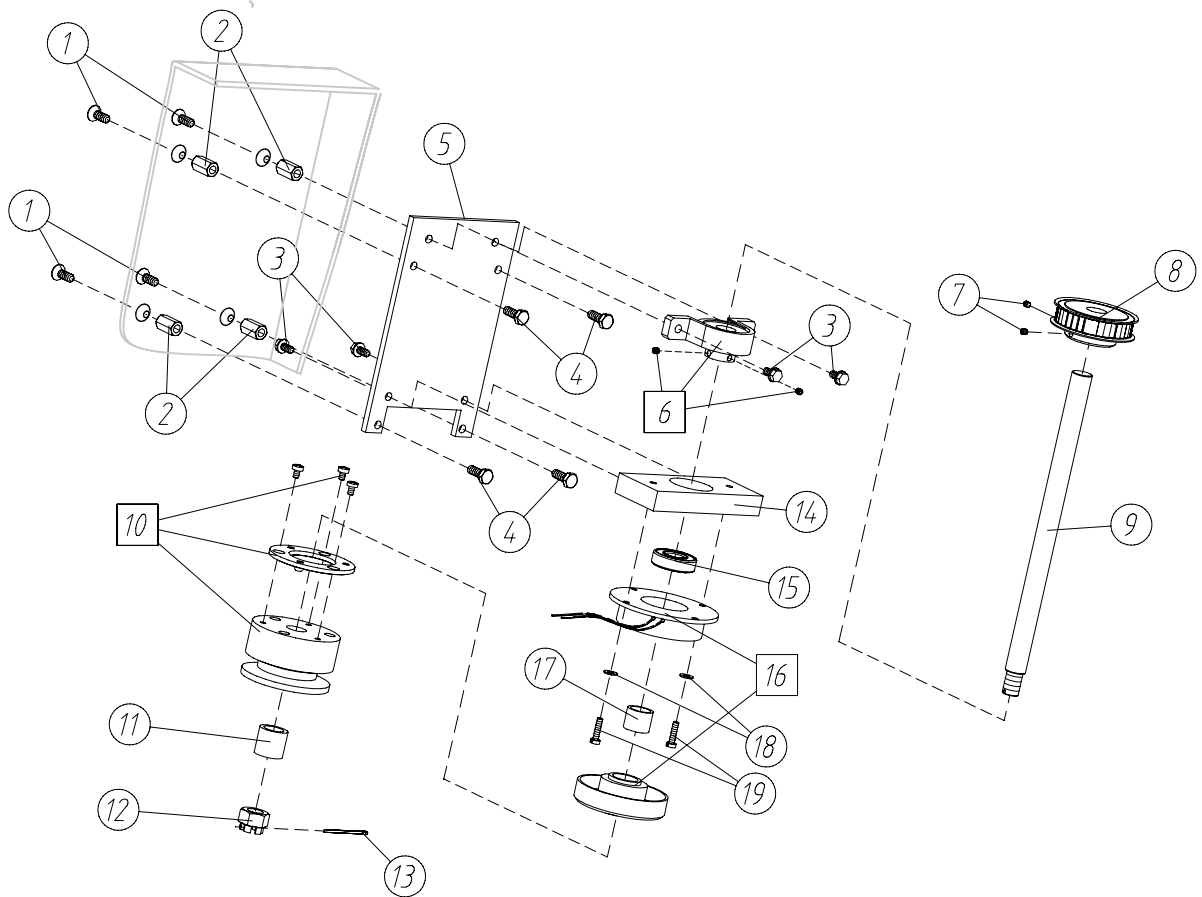
Magazine plate



Ref.	Qty	Part no	Name of part	Ref.	Qty	Part no	Name of part
1	1	746 61	Magazine plate	12	2	147 31	Screw
2	4	118 41	Bolt countersunk allen	13	1	746 92	Target ramp, out
3	1	103 61	Bolt, allen MC6S	14	1	746 94	Target ramp, low
4	6	100 71	Washer BRB	15	1	148 21	Washer
5	1	746 51	Bracket for microswitch	16	1	148 31	Locking nut
6	1	381 31	Microswitch wheel	17	1	111 71	Washer BRB
7	6	101 11	Nut M6M	18	2	160 71	Nut locking
8	1	723 02	Bracket leafspring	19	1	647 21	Brush
9	1	723 13	Leafspring	20	1	647 22	Brush protection
10	4	147 81	Bolt hex M6S	21	2	147 51	Screw
11	1	746 93	Target ramp, in				

MTD 600/ MJTD 600

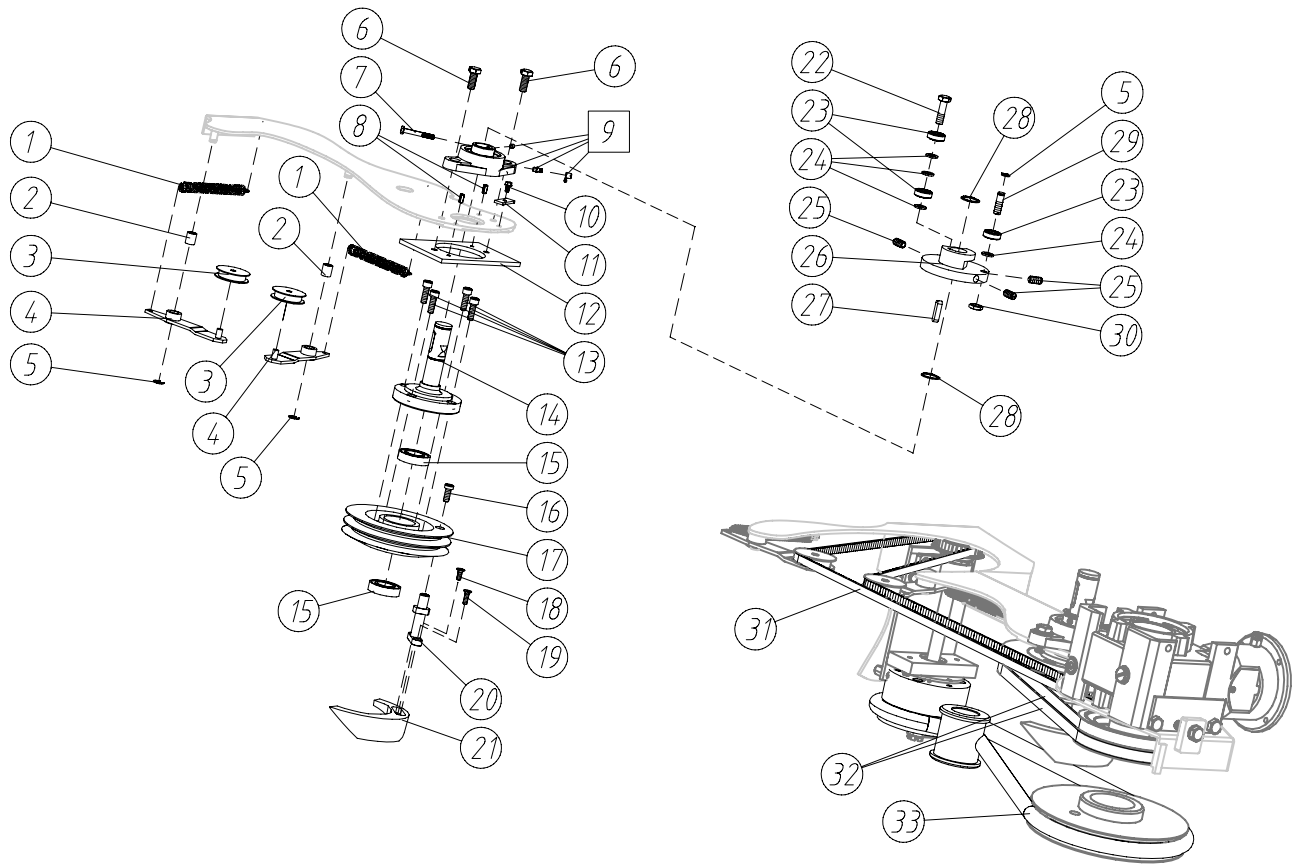
Horizontal drive



Ref.	Qty	Part no	Name of part	Ref.	Qty	Part no	Name of part
1	4	122 61	Bolt allen countersunk	11	1	249 62	Bushing oilite
2	4	107 12	Spacer threaded	12	1	108 92	Castle nut
3	4	164 51	Bolt hex	13	1	170 51	Split pin
4	4	147 82	Bolt hex	14	1	743 23	Bearing house
5	1	743 20	Base plate	15	1	221 41	Bearing
6	1	243 42	Bearing assy. (appearance may differ)	16	1	303 71	Clutch stator
7	2	162 61	Set screw	17	1	244 12	Stud
8	1	543 61	Cog wheel	18	1	114 11	Washer
9	1	743 51	Shaft	19	2	104 11	Screw
10	1	544 01	Clutch slave w. pulley (assy.)				

MTD 600/ MJTD 600

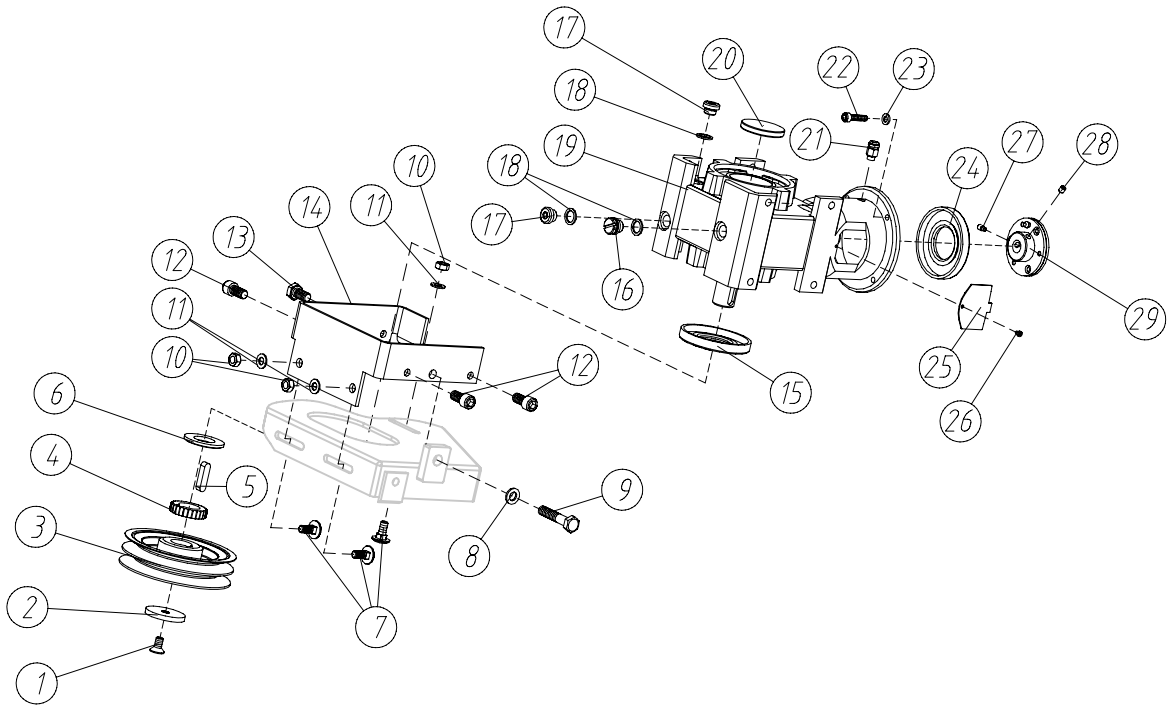
Main shaft/ drive belt



Ref.	Qty	Part no	Name of part	Ref.	Qty	Part no	Name of part
1	2	416 91	Spring	18	1	172 01	Bolt countersunk allen
2	2	249 61	Oilite	19	1	143 31	Bolt countersunk allen
3	2	649 71	Wheel	20	1	718 71	Drive member
4	2	749 31	Tension arm	21	1	745 61	Cam
5	3	140 11	Circlip	22	1	146 31	Bolt, hex
6	2	105 52	Bolt, hex	23	3	217 81	Bearing
7	1	118 01	Bolt hex	24	4	105 81	Washer
8	2	104 02	Tension pin	25	3	146 01	Setscrew w spring ball
9	1	205 41	Bearing assy	26	1	745 91	Magazine drive member/ lock
10	1	134 32	Bolt hex selftapping	27	1	104 51	key
11	1	745 71	Bearing lock	28	2	132 01	Circlip
12	1	791 21	Plate	29	1	146 12	Stud for bearing
13	4	118 91	Bolt allen	30	1	146 21	Nut
14	1	719 01	Flange/ shaft	31	1	549 21	Cog-belt
15	2	219 21	Bearing	32	1	545 31	V-belt
16	1	103 61	Bolt allen	33	1	537 52	O-belt
17	1	519 11	Pulley				

MTD 600/ MJTD 600

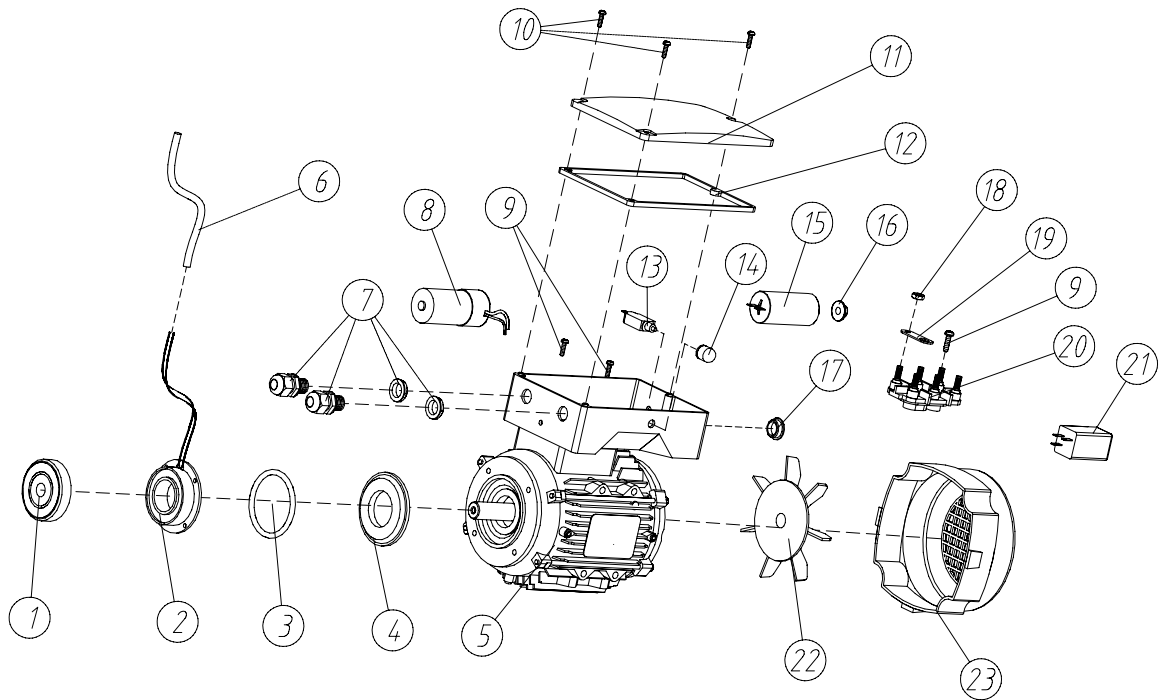
Main worm gear



Ref.	Qty	Part no	Name of part	Ref.	Qty	Part no	Name of part
1	1	149 11	Screw	16	1	512 31	Vent. plugg
2	1	749 01	Washer	17	2	512 32	Plug
3	1	548 91	Pulley	18	3	512 33	Seal
4	1	548 81	Cog-wheel	19	1	548 41	Worm gear
5	1	104 51	Key	20	1	226 41	Topp cover seal
6	1	748 71	Washer	21	1	333 81	Bushing
7	3	112 41	Bolt carriage	22	4	103 61	Bolt allen
8	1	111 71	Washer	23	4	100 71	Washer
9	1	100 91	Bolt hex	24	1	226 21	Seal
10	3	107 11	Nut	25	1	729 31	cover
11	3	107 01	Washer	26	1	129 21	Screw
12	3	116 61	Bolt allen	27	1	102 41	Setscrew
13	1	166 91	Bolt hex	28	1	108 81	Setscrew
14	1	748 61	Worm gear bracket	29	1	303 41	Clutch slave
15	1	226 31	Seal shaft				

MTD 600/ MJTD 600

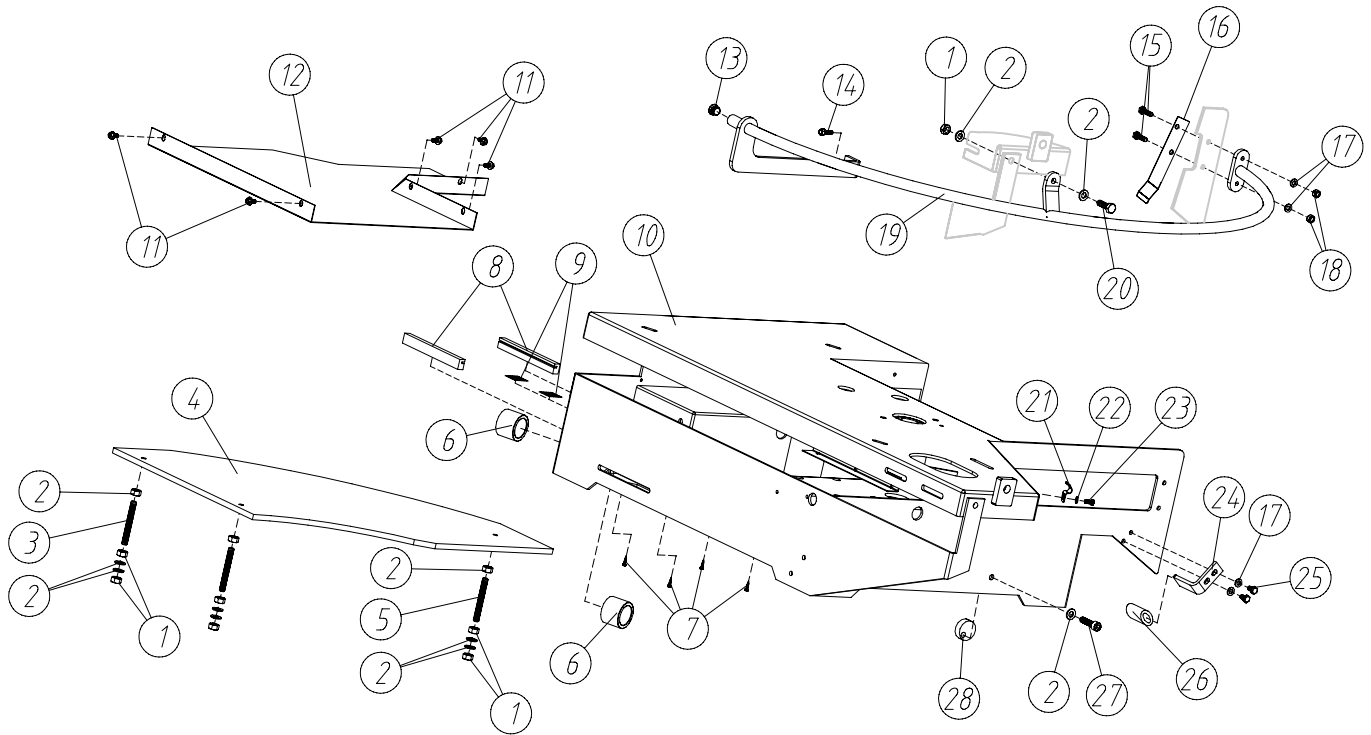
Main drive



Ref.	Qty	Part no	Name of part	Ref.	Qty	Part no	Name of part
1	1	303 51	Clutch rotor	13	1	327 31	Circuit breaker
2	1	303 71	Clutch stator	14	1	601 51	protective cap
3	1	603 91	O-ring	15	1	394 72	Capacitator
4	1	603 81	Spacer	16	1	107 13	Nut
5	1	513 31	Motor	17	1	388 42	Plugg
6	1	376 62	Tube "Cut to 230mm"	18	6	116 41	Nut
7	2	332 12	Bushing	19	2	626 03	Jumper
8	1	394 82	Capacitator	20	1	626 02	Terminal block
9	4	106 82	Screw	21	1	324 71	Starting relay
10	3	104 12	Screw	22	1	626 01	Fan
11	1	304 22	Cover	23	1	625 81	Fan cover
12	1	304 32	Seal				

MTD 600/ MJTD 600

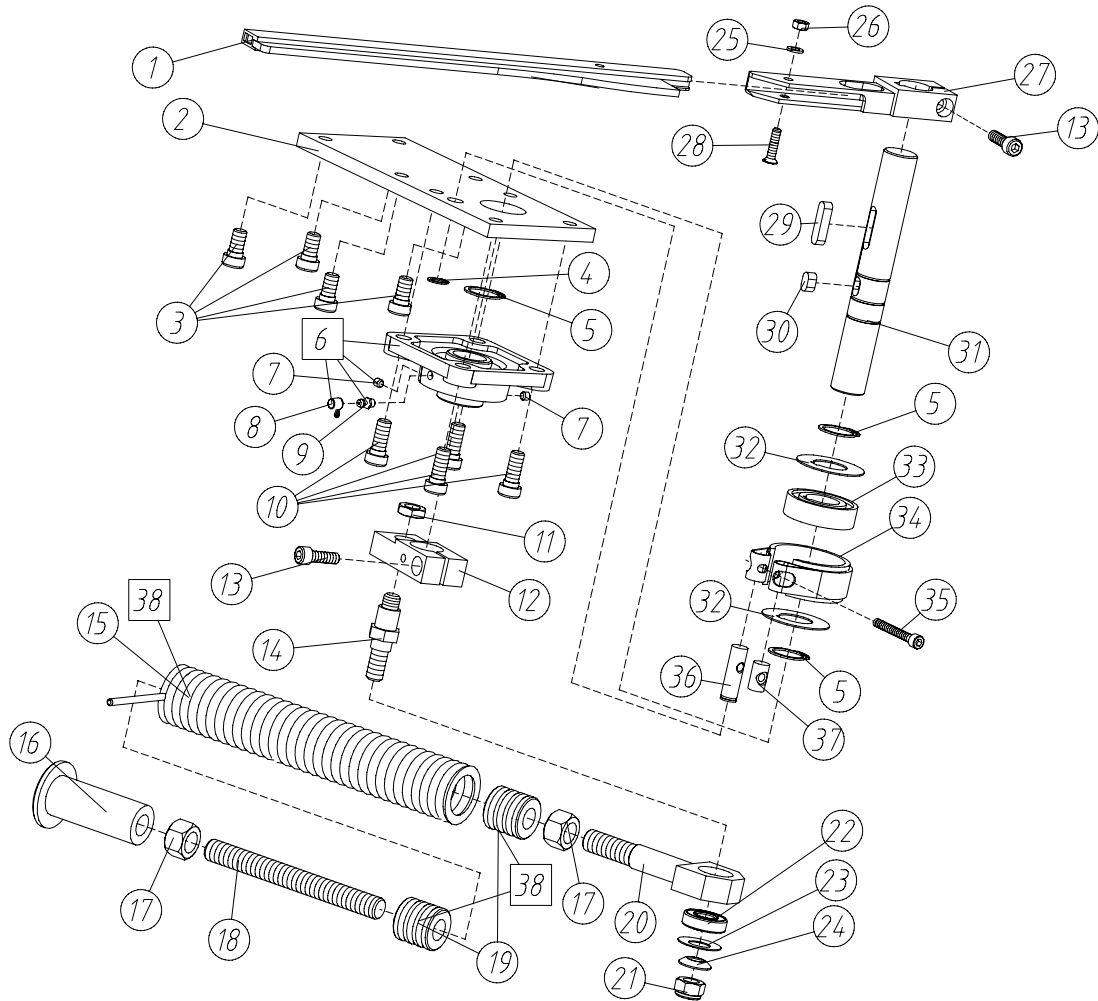
Chassi



Ref.	Qty	Part no	Name of part	Ref.	Qty	Part no	Name of part
1	10	107 11	Nut	15	2	147 83	Bolt hex
2	9	111 71	Washer	16	1	457 11	Leaf spring
3	2	142 91	Rod threaded	17	4	100 71	Washer
4	1	742 81	Launch table	18	2	101 11	Nut
5	1	143 01	Rod threaded	19	1	750 01	Safe guard
6	2	222 01	Bushing oilite	20	1	150 11	Bolt hex
7	4	147 51	Screw	21	1	336 43	Cable holder
8	2	652 71	DIN-rail	22	1	106 61	Washer
9	2	652 72	Net	23	1	106 81	Screw
10	1	750 31	Chassi	24	1	651 11	Table stop
11	5	134 32	Bolt, selftapping	25	2	118 02	Bolt hex
12	1	749 81	Cover	26	1	651 21	Bumper
13	1	692 09	Plugg	27	1	116 61	Bolt allen
14	1	112 51	Bolt, selftapping	28	1	750 21	Table stop adjustable

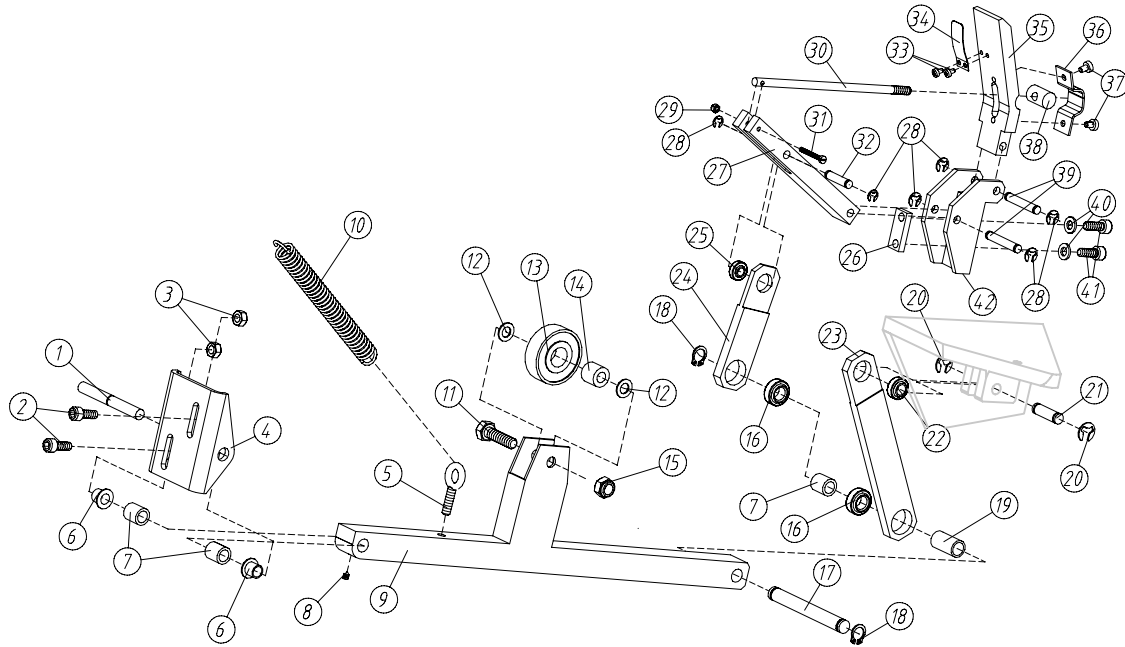
MTD 600/ MJTD 600

Main shaft



Ref.	Qty	Part no	Name of part	Ref.	Qty	Part no	Name of part
1	1	1039E	Launching arm, compl. MDT/MJDT	20	1	720 52	Spring connector
2	1	719 72	Bearing plate	21	1	108 31	Nut
3	2	189 91	Bolt allen/spec./shoulder	22	2	221 41	Bearing
4	4	131 91	Circlip	23	1	120 71	Disc spring
5	1	132 01	Circlip	24	1	111 21	Cone washer
6	1	202 51	Bearing assy	25	1	100 71	Washer
7	1	102 41	Set screw	26	1	101 11	Nut
8	2	109 12	Cover	27	1	744 91	Launching arm carrier
9	1	109 11	Grease fitting	28	1	145 21	Screw countersunk
10	4	105 52	Bolt allen/spec./shoulder	29	1	104 51	Key
11	3	107 61	Nut	30	1	132 11	Key
12	1	720 11	Excenter	31	1	720 42	Main shaft
13	1	118 81	Bolt allen	32	1	120 91	Cover washer
14	1	720 61	Spring connector	33	1	219 81	Clutch, one-way (sprague)
15	1	421 91	Main spring	34	1	1006	Brake band
16	1	743 11	Tension rod	35	1	119 51	Bolt allen
17	1	121 31	Nut	36	1	731 81	Stud
18	1	121 52	Threaded rod	37	1	719 63	Bolt, cross threaded
19	1	735 21	Nut	38	1	1033D	Main spring assy

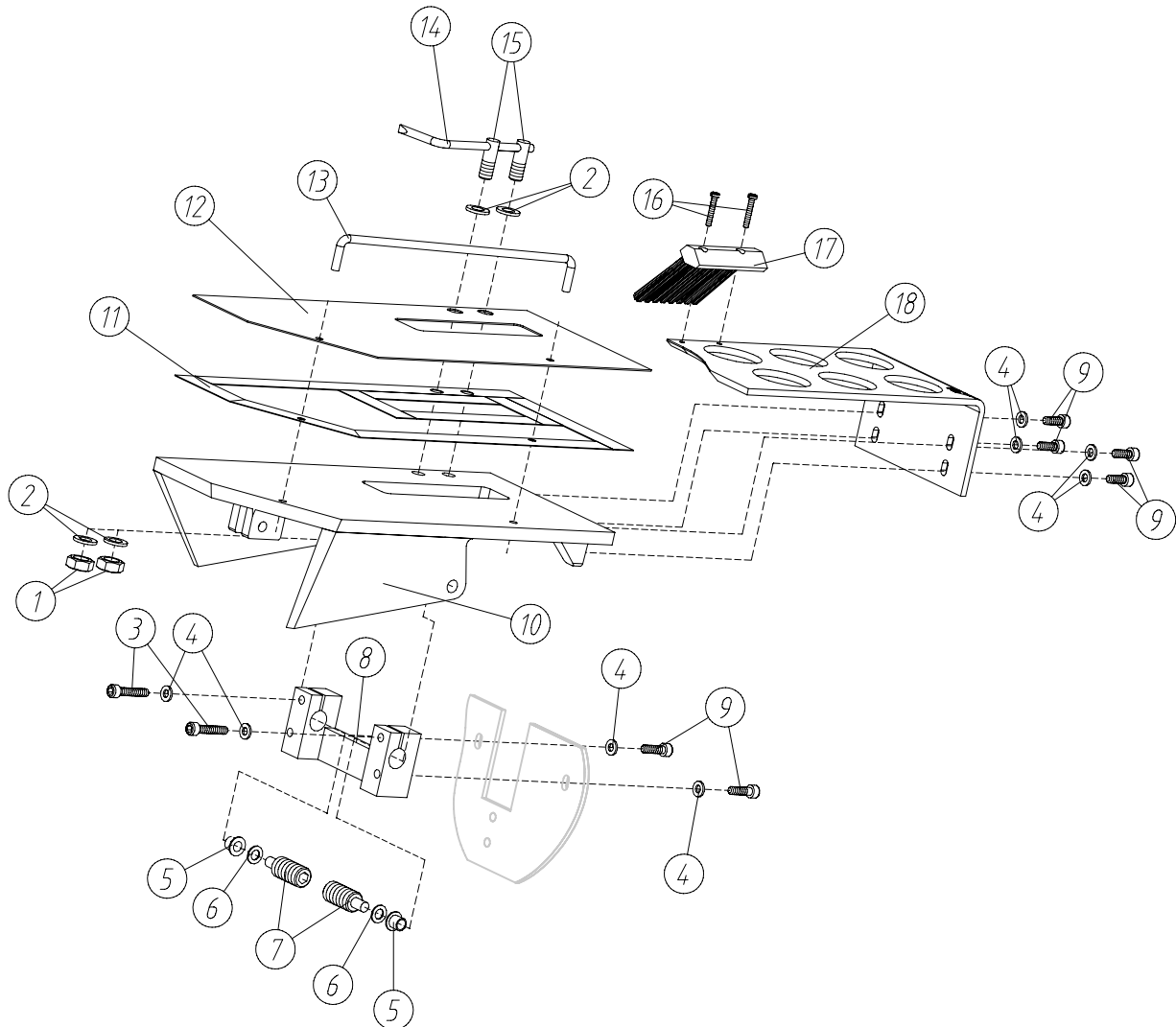
MTD 600/ MJTD 600 Linkage



Ref.	Qty	Part no	Name of part	Ref.	Qty	Part no	Name of part
1	1	739 12	Shaft	22	1	236 71	Bearing GE
2	2	100 61	Bolt allen	23	1	741 12	Arm
3	1	101 11	Nut	24	1	772 21	Arm
4	1	739 03	Bracket	25	1	240 91	Bearing GE
5	1	139 61	Eyelet	26	1	738 91	Nut plate
6	1	239 31	Bushing	27	1	741 12	Arm
7	3	740 22	Spacer	28	6	162 71	Circlip
8	1	108 81	Set screw	29	1	141 81	Nut
9	1	739 41	Arm	30	1	741 61	Pushrod
10	1	416 91	Spring	31	1	115 91	Screw
11	1	150 12	Bolt hex	32	1	741 01	Shaft
12	2	139 91	Washer	33	2	129 21	Screw
13	1	239 71	Bearing	34	1	941 92	Spring leaf
14	1	739 81	Spacer	35	1	741 51	Arm
15	1	112 21	Nut	36	1	719 65	U-bracket
16	2	240 81	Bearing GE	37	2	151 03	Screw
17	1	740 01	Shaft	38	1	719 64	Stud
18	2	140 11	Circlip SGA	39	1	741 21	Shaft
19	1	740 72	Spacer	40	2	100 71	Washer
20	2	139 21	Circlip	41	2	100 61	Bolt allen
21	1	740 51	Shaft	42	1	741 31	Bracket

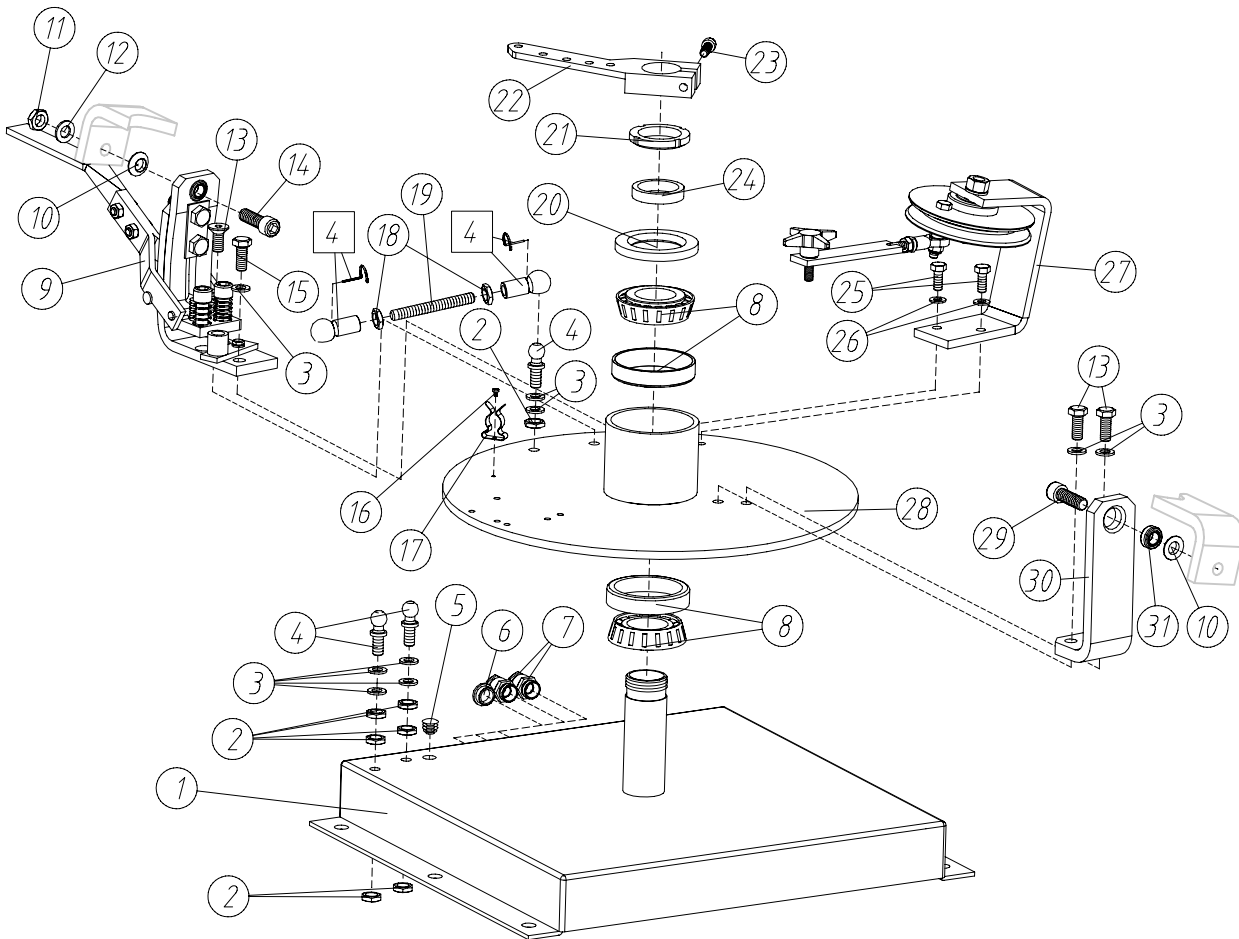
MTD 600/ MJTD 600

Primary table



Ref.	Qty	Part no	Name of part	Ref.	Qty	Part no	Name of part
1	2	146 21	Nut	10	1	742 21	Primary table
2	4	111 71	Washer	11		942 31	Doublesided tape "cut from roll"
3	2	108 51	Allen bolt	12	1	742 41	Aluminium sheet
4	8	100 71	Washer	13	1	742 51	Guiderail
5	2	239 31	Bushing	14	1	742 61	Guiderail
6	2	139 91	Washer	15	2	714 51	Stud for guiderail
7	2	742 11	Shaft	16	2	168 41	Screw
8	1	742 01	Bracket	17	1	647 31	Brush
9	6	103 61	Allen bolt	18	1	742 71	Cover

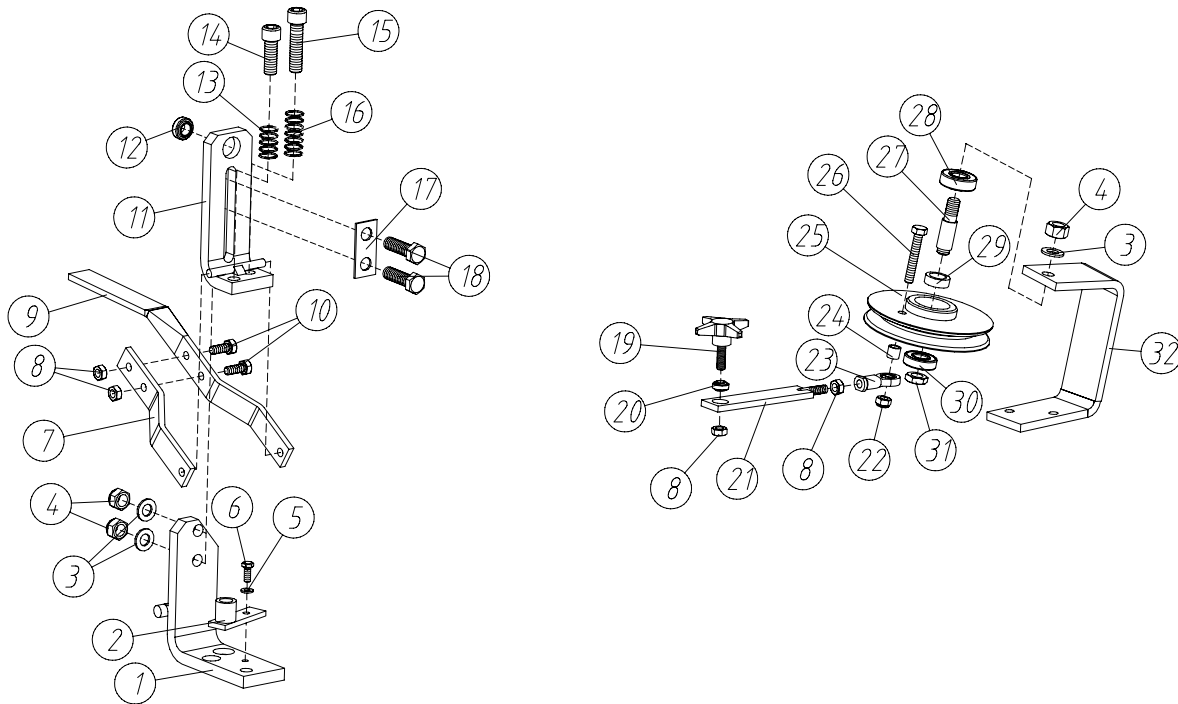
MTD 600/ MJTD 600 turn table



Ref.	Qty	Part no	Name of part	Ref.	Qty	Part no	Name of part
1	1	735 71	Baseframe	17	1	136 01	Spring clamp
2	5	107 61	Nut	18	2	106 01	Nut
3	7	111 71	Washer	19	1	180 81	Rod threaded
4	3	135 81	Ball joint	20	1	210 61	Seal
5	1	697 21	Plugg	21	1	110 91	Spanner nut
6	1	388 31	Plugg	22	2	736 51	Arm
7	2	306 21	Bushing cable	23	2	169 81	Bolt allen
8	2	279 41	Bearing	24	1	710 81	Spacer
9	1		Adj. bracket see page 14	25	2	150 11	Bolt hex
10	2	111 21	Cone washer	26	2	107 01	Washer
11	1	107 61	Nut	27	1		Pulley bracket see page 14
12	1	132 31	Washer	28	1	797 41	Baseplate
13	1	138 01	Bolt allen countersunk	29	1	100 01	Bolt allen
14	1	108 41	Bolt allen	30	1	737 71	Bracket
15	1	111 81	Bolt hex	31	1	201 01	Bearing
16	1	129 21	Bolt selftapping				

MTD 600/ MJTD 600

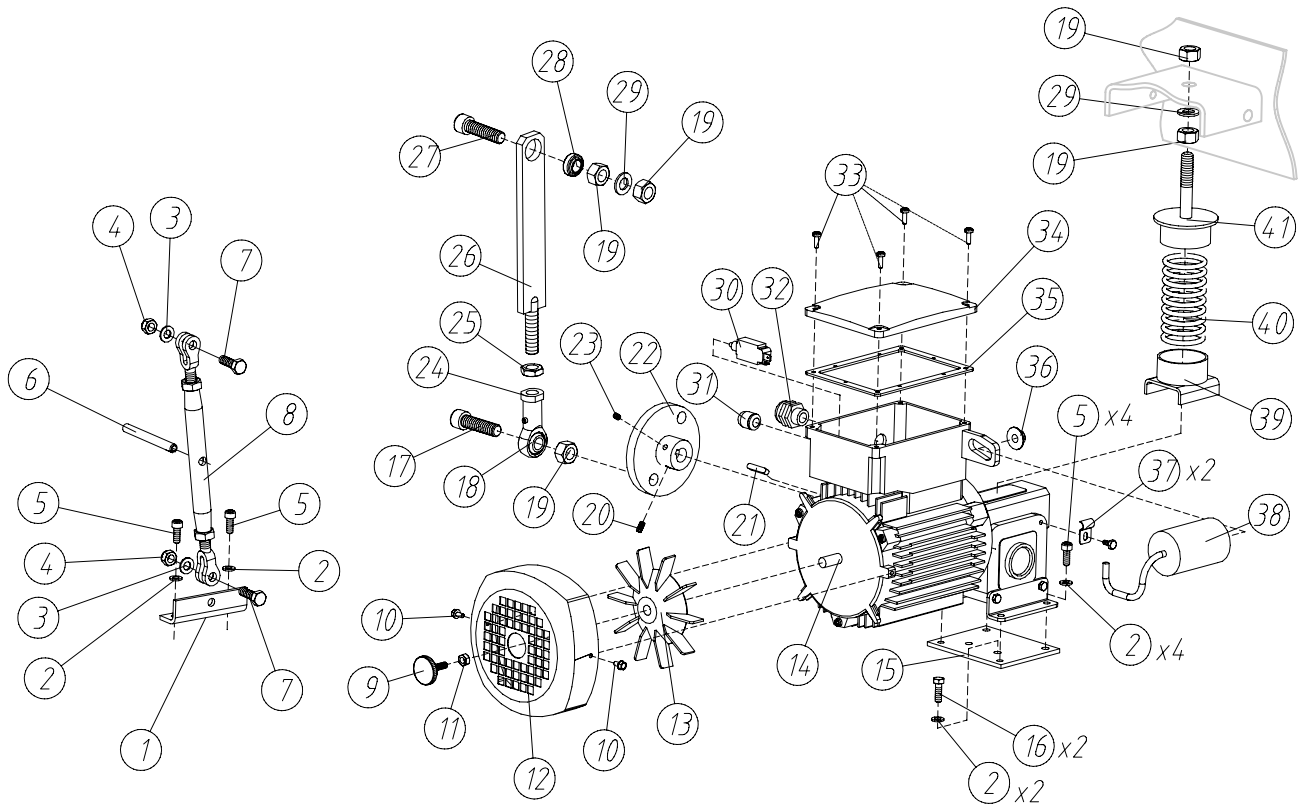
Adj./ pulley bracket



Ref.	Qty	Part no	Name of part	Ref.	Qty	Part no	Name of part
1	1	738 21	Bracket adj.	17	1	799 31	Washer
2	1	738 11	Spacer	18	2	138 31	Bolt hex
3	3	132 31	Washer	19	1	698 91	Knob star
4	3	108 91	Nut	20	1	236 71	Bearing
5	1	100 71	Washer	21	1	736 61	Connection rod
6	1	147 81	Bolt hex	22	1	112 21	Nut nylock
7	1	738 61	Arm	23	1	236 81	Rod end
8	4	107 11	Nut	24	1	737 11	Spacer
9	1	738 51	Arm	25	1	537 31	Pulley
10	1	150 11	Bolt hex	26	1	137 21	Bolt hex
11	1	737 72	Bracket	27	1	737 61	Shaft
12	1	201 01	Bearing	28	1	256 00	Bearing
13	1	499 51	Spring	29	1	737 01	Spacer
14	1	108 41	Bolt allen	30	1	221 41	Bearing
15	1	170 01	Bolt allen	31	1	107 61	Nut
16	1	499 52	Spring	32	1	737 41	U-bracket

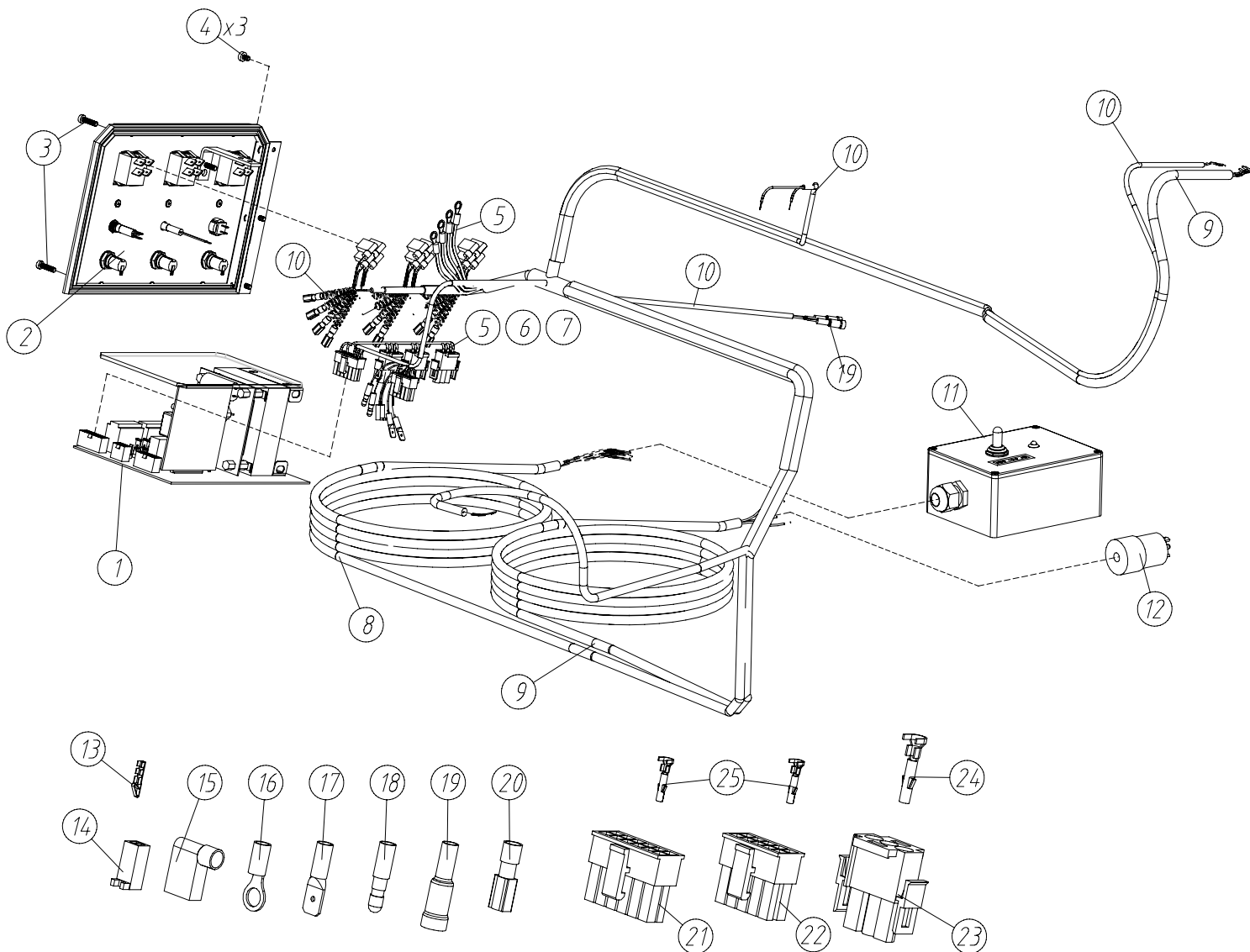
MTD 600/ MJTD 600

Vertical adj./ drive



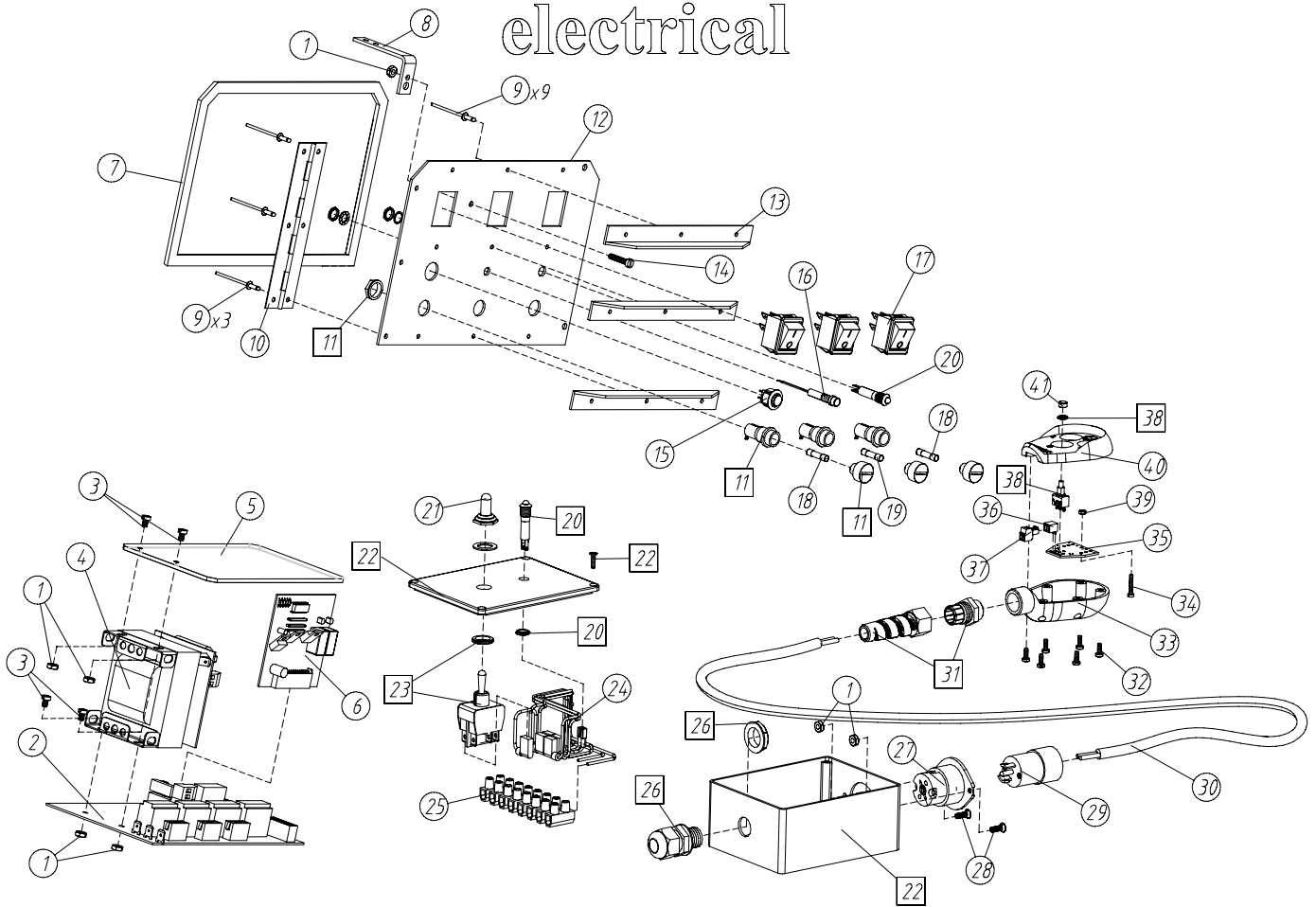
Ref.	Qty	Part no	Name of part	Ref.	Qty	Part no	Name of part
1	1	707 72	Bracket	22	1	709 01	Pulley
2	8	100 71	Washer	23	1	172 31	Set screw
3	2	107 01	Washer	24	1	107 61	Rod end
4	2	112 21	Nut	25	1	107 61	Nut
5	6	100 61	Bolt allen	26	1	701 21	Connection rod
6	1	124 21	Tension pin	27	1	108 42	Bolt allen
7	2	150 11	Bolt hex	28	1	201 01	Bearing
8	1	107 31	Turn buckle	29	2	107 51	Washer
9	1	139 71	Grip screw	30	1	327 42	Overload circuit breaker
10	2	151 02	Screw	31	1	601 51	Protective cap
11	1	101 11	Nut	32	1	301 72	Bushing
12	1	625 91	Cover	33	4	183 32	Screw
13	1	626 11	Fan	34	1	304 21	Cover
14	1	566 81	Motor	35	1	304 31	Seal
15	1	736 12	Plate	36	1	107 13	Nut
16	2	147 11	Bolt allen	37	2	336 41	Cableholder
17	1	108 41	Bolt allen	38	1	385 21	Capacitor
18	1	200 11	Rod end	39	1	708 21	Spring bracket
19	5	108 91	Nut	40	1	408 12	Spring
20	1	144 21	Set screw	41	1	708 01	Spring bracket
21	1	109 72	Key				

MTD 600/ MJTD 600 electrical



Ref.	Qty	Part no	Name of part	Ref.	Qty	Part no	Name of part
1	1		Main bord "see page 17"	14	1	352 61	Housing
2	1		Lid "see page 17"	15	12	324 31	Terminal, flag
3	2	104 11	Screw	16	4	335 01	Terminal, ring
4	3	151 03	Screw	17	2	382 31	Terminal female
5	1	374 01	Cable 1x1,5 Green/Yellow	18	2	331 61	Terminal female
6	1	373 91	Cable 1x1,5 Braun	19	4	331 71	Terminal female
7	1	373 81	Cable 1x1,5 Blue	20	8	367 81	Terminal female
8	1	376 31	Cable 7x0.75	21	1	382 81	Housing 12pol
9	1	378 61	Cable 3x1.5	22	1	383 01	Housing 10pol
10	1	376 41	Cable 2x0.25	23	3	382 61	Housing 3pol
11	1		Controlbox, See page 17	24	9	382 71	Socket, contact for 38261
12	1	328 61	Midget twist action male	25	12	382 91	Socket, contact for 38281/ 38301
13	2	352 62	Socket contact				

MTD 600/ MJTD 600 electrical



Ref.	Qty	Part no	Name of part	Ref.	Qty	Part no	Name of part
1	7	114 21	Nut	22	1	373 14	Aluminiumbox
2	1	352 11	Main PC board MDT/MJDT	23	1	804 42	Toggle switch
3	4	151 01	Screw	24			Cables
4	1	326 81	Transformer	25	1	310 51	Terminal bar
5	1	683 41	Cover	26	1	301 72	Bushing
6	1	352 31	Motorsaver	27	1	328 51	Midget twist lock female
7	1	650 71	Seal	28	2	150 51	Screw countersunk
8	1	722 85	Bracket	29	1	328 61	Midget twist lock male
9	12	150 81	Rivet	30		392 91	Cable
10	1	950 91	Hinge	31	1	353 42	Cabel gland w. spiral top
11	3	351 51	Fuse holder	32	6	129 51	Screw
12	1	750 41	Cover	33	1	327 81	Releasebox bottom
13	3	750 61	Rollgard	34	1	170 21	Screw
14	1	168 41	Screw	35	1	384 71	Board, release
15	1	352 01	Pushbutton, DS-663	36	1	336 21	Electrical conn. female
16	1	351 81	Lamp indicator	37	1	334 01	Electrical conn. male
17	3	351 42	On/off switch	38	1	327 53	Pushbutton switch
18	2	351 61	Fuse	39	1	116 41	Nut
19	1	351 71	Fuse	40	1	327 71	Releasebox cover
20	2	380 91	LED indicator, flash	41	1	327 63	Pushbutton cap, snap-on
21	1	804 41	Protective cap				